

SPECIFICATIONS & TECHNICAL DETAILS OF AVR EQUIVALENT TO KIRLOSKAR GREEN ALTERNATOR

info@spsindia.biz



COMMON MODEL FOR 3 PH & 1 PH ALTERNATOR

UFI:
Under frequency activation indicator LED

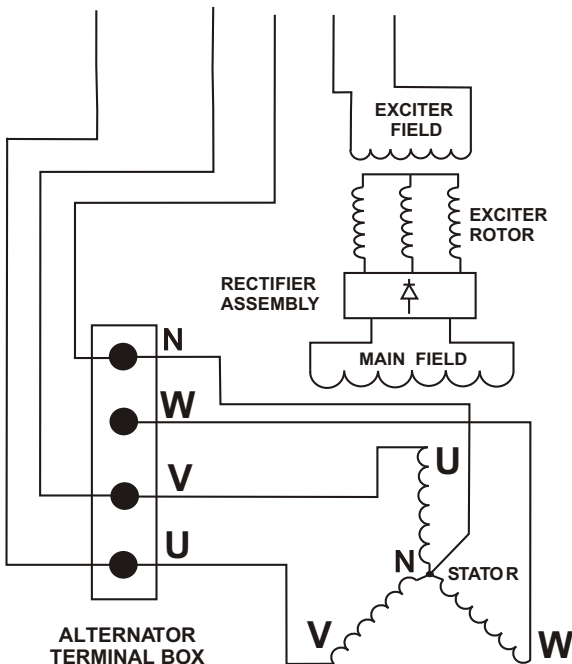
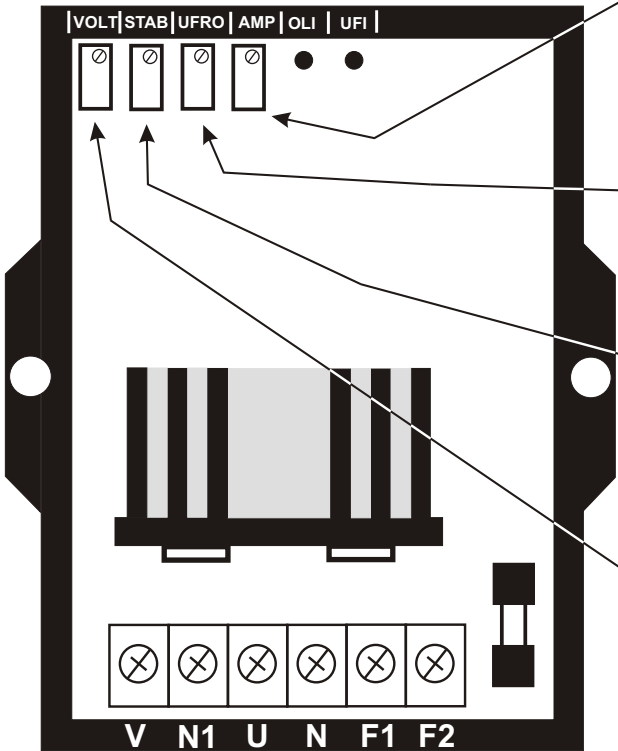
OLI:
Over excitation trip indicator LED

AMP:
Field current over excitation set pot is factory set to maximum clockwise (5 Amps). If it is required to cut off excitation current below 5 Amps, than connect DC ampere meter in series with F1. Load the alternator such that required DC current is noted on ampere meter. Now rotate AMP pot anticlockwise till OLI LED is just ON. Once LED is turned ON the internal timer will be activated and will cut off excitation Power.

UFRO:
It is not required to adjust these pot as it is factory factory set at 47 Hz. If it is required to adjust than by rotating the pot to clock wise will increase UFRO level above 47 Hz and rotating anticlockwise will decrease UFRO level below 47 Hz. UFRO activation is indicated by UFI LED.

STAB:
If there is AC terminal voltage hunting than slowly rotate STAB pot anticlockwise to stabilize the voltage. Do not excessively rotate anticlockwise other wise response time will increase resulting larger dip in terminal voltage during sudden load. Excessively rotating the STAB pot in clockwise direction will result in voltage hunting.
(It is advisable that only technically qualified person should adjust these pot.)

VOLTS:
Rotate these pot clockwise to increase AC terminal voltage and anticlockwise to decrease AC terminal voltage



SPECIFICATIONS:

FOR 3 PHASE ALTERNATOR TERMINAL N1 IS TO BE KEPT OPEN.

FOR 1 PHASE ALTERNATOR LINK N & N1 TERMINAL AND TERMINAL R TO BE KEPT OPEN

INPUT VOLTAGE	2 PHASE (415V) + NEUTRAL OR 1 PHASE (220V) + NEUTRAL
SENSING VOLTAGE	415 VAC / 220 V AC
OUTPUT EXCI. VOLTAGE	100 V DC
OUTPUT EXCI. CURRENT	4 A DC. (8 A DC FOR 15 - SECONDS)
INPUT FREQUENCY	50 / 60 Hz
RESIDUAL BUILD UP	5 V AC AT 50 Hz.
VOLTAGE REGULATION	+ / - 1 %
UNDER FREQUENCY (UFRO / UFI)	FACTORY SETTING 47 Hz, ADJUSTABLE POT. INDICATION BY UFI - LED
OVER EXCITATION CURRENT TRIP (OE / OEI) (Please rotate OE pot in anti-clockwise direction to set excitation current tripping level below 5 A DC)	25 SECONDS DELAY TIMER. ADJUSTABLE POT RANGE 0 - 5 ADC. INDICATION BY OEI - LED (Factory setting 5 A DC max)
FUSE (FAST ACTING)	4 AMPS (SIXE: 20 X 5 mm)
DIMENSIONS (L X B X H)	92 X 109 X 40 mm
WEIGHT	250 gms

NOTE: Continuous development of our products entitles us to change specifications & other details without notice. Please contact factory for latest information (info@spsindia.biz)